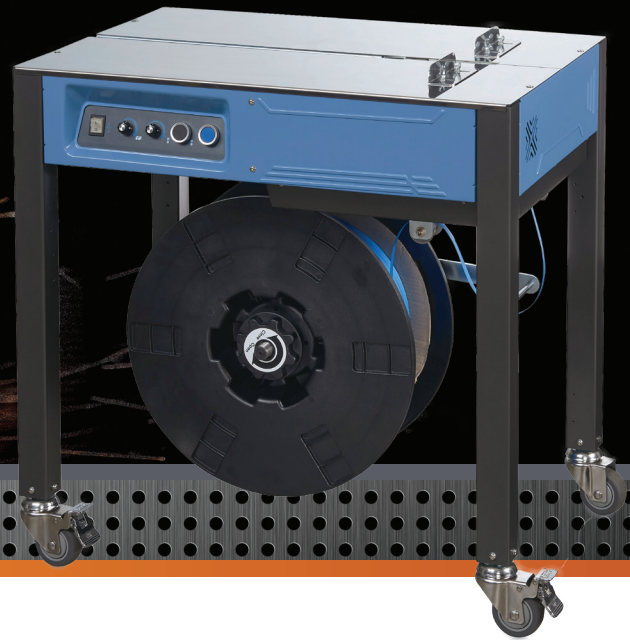




First in Quality. Built to **Last**.



EASTEY STRAPPERS

SEMI-AUTOMATIC STRAPPERS

KEEP IT SECURE

The semi-automatic EXS-100 strapping machine is designed to apply a plastic strap around your packages, preventing them from opening during handling and transit. The EXS-100's bottom seal design is an ideal solution for low to medium volume users that need additional security beyond case taping.

SIMPLE AND EFFICIENT

Operating the EXS-100 strapping machine is easy and can be learned in minutes. The machine features an open cabinet design making it easy to view and change your poly strapping. The EXS-100 features electronic tension control, allowing the user to adjust the proper tension for a wide variety of packages, and the heated strap-weld sealing system ensures a secure strap.

INDUSTRIAL STRENGTH OPERATION

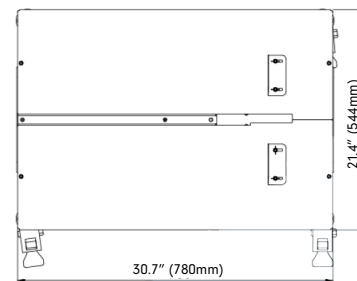
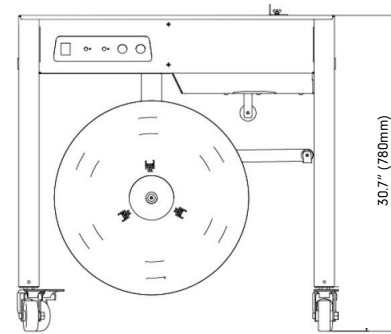
The system comes standard with four locking casters that allow for easy transportation within the facility. The EXS-100 is pre-configured to an industry standard height of 30", making a comfortable fit for most packaging environments.

KEEP YOUR PACKAGES SECURE

The EXS-100 is a semi-automatic strapping machine designed to efficiently strap and secure over-filled and heavy weight packages.

STANDARD FEATURES

- Small machine footprint allows for use almost anywhere within your facility
- Four locking casters for easy transportation
- Jog switch for service and maintenance
- Adjustable cooling time for various weld seals
- Open cabinet design allows for quick poly strapping changeover
- Adjustable packaging guides to allow for a variety of package sizes
- Electronically controlled tension adjustment
- One motor with no clutch, belt, or chain
- Motor power saving when strapping is not active
- Accepts straps ranging in width from 5mm-15.5mm
- Simple and efficient to use
- No air required
- Strap packages up to 130lbs
- 110V single phase power supply



EXS-100 STRAPPING SPECIFICATIONS

Strap Width	0.2" - 0.6" (5mm-15.5mm)
Strap Thickness	0.02" - 0.027" (0.45mm - 0.7mm)
Strap Core Diameter	7.9" (200mm)
Strap Core Width	7.5"-7.9" (190mm - 200mm)
Strap Material	Polypropylene only
Minimum Package Size	2.75" (70mm) W x 0.79" (20mm)
Maximum Package Weight	130lbs (59kg)
Speed	1 meter/s for feeding; 1 meter/s for reversing
Machine Tension	2 -121lbs (1-55kg)
Machine Dimensions	21.4" (544mm) W x 30.7" (780mm) L x 30.7" (780mm) H
Power Supply	100V/110V, 50/60 Hz, 1 Phase
Weight	117lbs (53kg)



7041 Boone Avenue North, Brooklyn Park, MN 55428
 (763) 428-4846 1 (800) 835-9344
 www.easteys.com info@easteys.com

